

DIVUS CIRCLE \varnothing 240mm



DATASHEET: OCTOBER 2022

DIVUS CIRCLE
VER.2

DIVUS CIRCLE

OUTDOOR INTERCOM STATION FOR WALL MOUNT TECHNICAL DATA

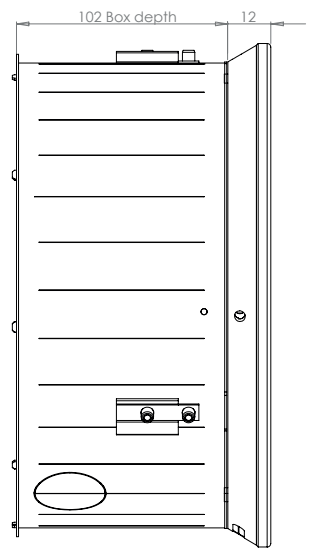
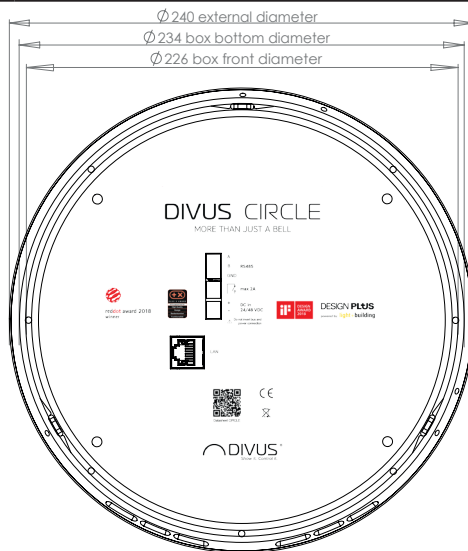
DIVUS CIRCLE

FUNCTIONALITIES

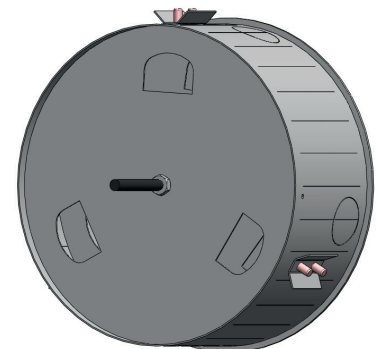
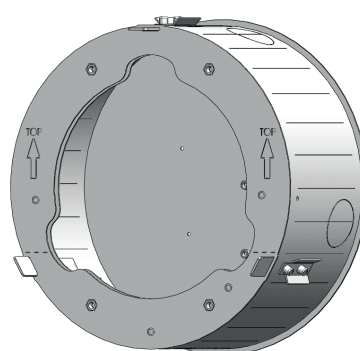
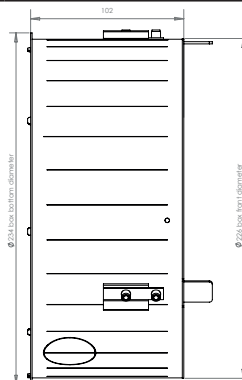
| | |
|----------------|---|
| Main functions | Voice communication over SIP/VoIP IP cam video streaming via RTSP (H.264) Callee selection over touch screen Optional: RFID reader (opens door over card / badge) Door opening over key code on touch screen Access scheduling Day / night profiles Customizable user interface and logo RGB LED light ring for illumination and function signalling Answer the door remotely with VIDEOPHONE MOBILE and the DIVUS CLOUD Max. two DIVUS CLOUD users per apartment |
|----------------|---|

DIMENSIONS

| | | |
|--------------|---|-----------------|
| DIVUS CIRCLE | Glass external diameter Depth (from wall) with glass thickness (4mm) | 240 mm 12 mm |
|--------------|---|-----------------|



| | | |
|------------------------------|--|-------------------------------------|
| Wall mounting box (flush) | Depth Diameter-box bottom Diameter-box front side Cable hole diameter | 102 mm 234 mm 226 mm 34 mm |
| Mount box béton brut (flush) | Depth Diameter-box bottom Diameter-box front side Cable hole diameter | 125 mm 234 mm 226 mm 34 mm |



DIVUS CIRCLE

OUTDOOR INTERCOM STATION FOR WALL MOUNT

TECHNICAL DATA

| DIVUS CIRCLE | |
|--|---|
| DESIGN | |
| | Compact device for wall mount with 7" Touchscreen; noiseless and without any rotating part, low power consumption. Smooth black circular glass surface. Aluminium back case |
| Housing | Metal barrel for flush-mounting |
| Protection | IP54 in conjunction with suitable housings / no direct sunlight |
| Mounting height center | - 140-145 cm above the floor - 125-130 cm above the floor for people with disabilities or special needs |
| ENVIRONMENT CONDITIONS (in protected outdoor areas with no direct sunlight) | |
| Temperature | -15°C to +40°C max. |
| Relative humidity | 15% to 80% |
| POWER SUPPLY VOLTAGE | |
| Power Supply Voltage | 24/48 VDC (min.1,6A - min.0,8A) |
| Current ratings - max: | 700 mA @ 48 VDC |
| Current ratings - idle: | 350 mA @ 48 VDC |
| CONNECTIVITY | |
| | 1x RJ45 ethernet 1x RS485 serial interface (connects to the I/O-MODULE) 1x Relay Output (max. 2A) |
| CAMERA | |
| Sensor | 1/3 CMOS sensor |
| Resolution | 1920x1080. 1-25 fps |
| | Night vision with IR LEDs |
| Lens | Wide-angle fish-eye lens; 1,7 mm, f 1/2,5" |
| Coding Format | H.264 |
| AUDIO | |
| Inout/output | Microphone and loudspeaker (10W) |
| Built-in functions | Acoustic echo cancelling, full duplex |
| DISPLAY | |
| Hardware | 7" LCD touch display |
| LCD brightness | 500 cd/m ² Automatically adjusted brightness |
| LCD resolution | WSVGA (1024*600) |
| Touch interface | Projected capacitive |

DIVUS CIRCLE

OUTDOOR INTERCOM STATION FOR WALL MOUNT

TECHNICAL DATA

| DIVUS CIRCLE | |
|-------------------------|---|
| RFID OPTIONAL | |
| Standard | Mifare / ISO 14443A |
| Frequency | 13,56 MHz |
| LUX SENSOR | |
| | Photodiode |
| RADAR | |
| | 24GHz ISM Band - up to 4 m |
| PROXIMITY SENSOR | |
| Detection Range | 10 cm ÷ 50 cm |
| RGB LED | |
| Luminosity Intensity | surrounding ring of 48 RGB LEDs; luminance on white: 1590-2800 mcd each |
| STANDARDS | |
| | CE conformity |
| OUTPUTS | |
| | Through I/O module (see separated data sheet) |

I/O MODULE

FOR DIVUS CIRCLE AND DIVUS CIRCLE small

TECHNICAL DATA

| I/O MODULE | |
|---|--|
| CHARACTERISTICS | |
| <p>The I/O module can control external loads such as electric locks (variable load between 250 mA and 1.5A at 12-24V) and standard lightings (12 - 220V). The module is connected via RS 485 to the master DIVUS CIRCLE or CIRCLE small device and is able to execute the commands programmable on the CIRCLE device.</p> | |
| HARDWARE DESCRIPTION | |
| SPECIFICATION | |
| POWER SUPPLY | 12-50 V DC 12-35 V AC |
| OPERATING TEMPERATURE RANGE | -20°C ÷ 70°C |
| CONNECTIVITY | |
| RS 485 | Max. distance 1km Max Bit rate: 115200 bps Terminal resistance settable via switch |
| INPUTS/OUTPUTS | |
| DIGITAL INPUTS | Amount: 4 optoisolated Input type: NPN Type of connection: open-drain, com to GND |
| OUTPUTS | Amount: 2 Output voltage: 12/24 V DC settable depend on supply voltage board Maximum current deliverable: 1,5 A (total) |
| RELAYS | Amount: 2 Maximum current: 6A resistive load Maximum tension: 250 VAC, 25 VDC Form C relays are SPDT and break the connection with one throw before making contact with the other (break-before-make) |

I/O MODULE

FOR DIVUS CIRCLE AND DIVUS CIRCLE small

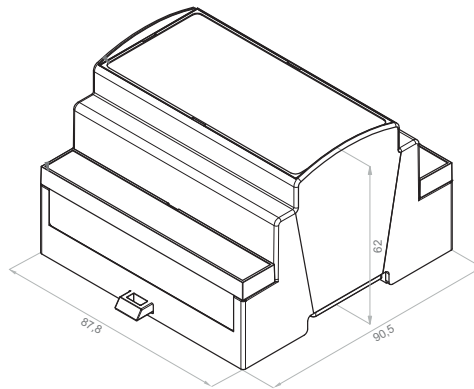
TECHNICAL DATA

I/O MODULE

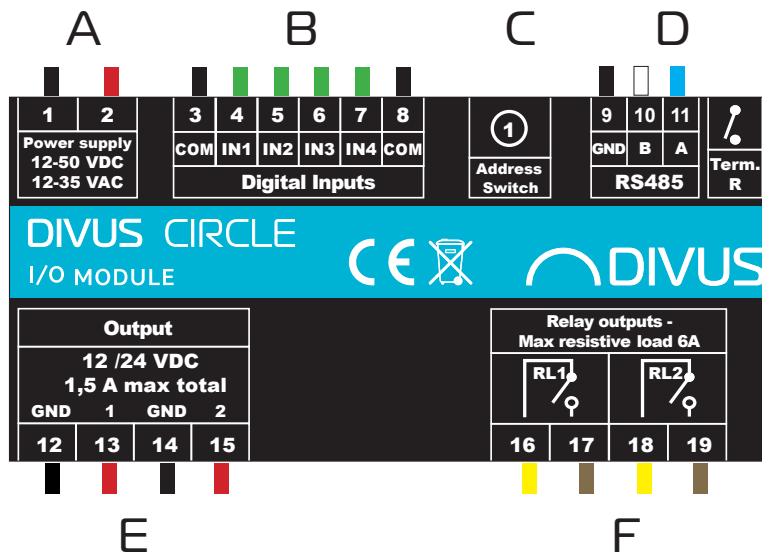
MECHANICAL DESCRIPTION

DIN RAIL MOUNTING BOX

The container for electronic instruments that can be hooked onto the DIN rail (EN60715) has been chosen according to DIN 438880 standards, as shown in the figure. It's a 5 modules unit.



CONNECTION DETAILS



- A. Power supply (reversible)
- B. 4 digital inputs
- C. Rotary switch for modbus address
- D. RS-485 - FTP AWG20/24 cable (Connect the cable shield to GND pin)
- E. 2 Programmable outputs 12/24 VDC (max. 1.5 A total) on both ports
- F. 2 Relay outputs to connect light, FCU, roller shutter motors, any other controlled load